



## Model 9251 Dual-Channel Switch, RS530 DB25 A/B/C/D and DB25 A/B, Manual, Rackmount

- **Applicable to Switching ANY DB25 interface devices.**

### INTRODUCTION

The Model 9251 Switch system is comprised of two independent sharing switches efficiently packaged in a 19-inch wide 2U high (3.5") rackmount unit. The switch functions are described and illustrated below.

### FEATURES:

- Independently switch each of the two channels manually via two knobs located on the front panel, one knob per channel.
- **Channel 1:** DB25 A/B/C/D Switch with (5) DB25 female connectors for ports "A", "B", "C", "D" and "Common".
- **Channel 2:** DB25 A/B Switch with (3) DB25 female connectors for ports "A", "B" and "Common".
- **All 25 pins of the RS530 interface are switched via break-before-make rotary switch.**
- High reliability, precious metal, sealed switches.
- Transparent to data speed and format.
- Eliminates the need to plug and unplug cables.
- All ports located on rear panel.
- Manual operation. No power required.
- Attractive all metal black box packaging provides EMI/RFI shielding.
- Custom length DB25 cables are available for your switch installation.
- **Lifetime warranty against manufacturing defects.**



### SPECIFICATIONS:

**CHANNEL-1 PORT CONNECTORS:** (5) DB25 female connectors labeled A, B, C, D, and COMMON.  
**CHANNEL-2 PORT CONNECTORS:** (3) DB25 female connectors labeled A, B, and COMMON.  
**FRONT PANEL CONTROLS:** (2) Manual rotary switches allow local switching.  
**DIMENSIONS:** Rackmount 19.0" W x 3.5" H x 8.0" D. (48.3 x 8.9 x 20.3 cm)  
**WEIGHT:** Approximately 6.0 lbs. (2.72 kg)

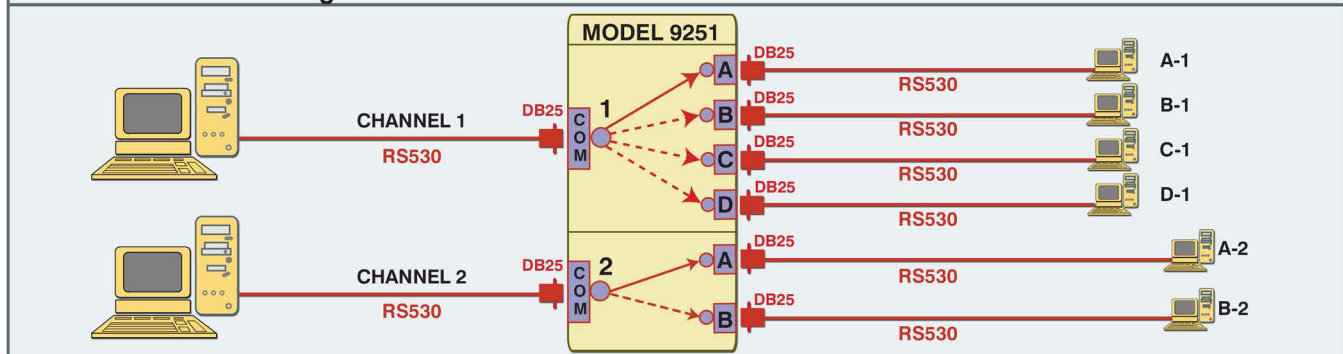
### Ask about our popular

#### Model 900 EIA/TIA RS-530 Interface Analyzer

Tri-State LED's display Red, Green & Off to Indicate Signal Status. Easy to use, for fault isolation.



### Model 9251 Function Diagram



### Custom length data network cables 25-conductor, DB25/DB25, Unshielded, PVC.

Part Number	Connectors	Length Specify XXX-FT	Price (USD)
990104-XXX	F/F	XXX-FT	\$24.00 + 0.55 / FT
990105-XXX	M/F	XXX-FT	\$24.00 + 0.55 / FT
990106-XXX	M/M	XXX-FT	\$24.00 + 0.55 / FT