

## LineSelect™ Model 9077 Single Channel Coaxial BNC A/B Switch Module, 50 Ohm

- High Quality Manual Data Network Switches Increase the Reliability of Your Network.
- Ideal for data, GPS, and test measurement coaxial networks!
- Modular approach allows system expansion to meet your needs.

### INTRODUCTION

The **LineSelect™** Model 9077 switch module allows the user to switch a device connected to the COMMON port between devices connected to ports A or B. The **LineSelect™** Model 9077 is an open frame module designed to be installed in the Model 9025 Rack.

The Model 9025 Rack accommodates up to 8 **LineSelect™** Model 9077's. The Model 9025 is a 3U, full rack size chassis designed to fit in a standard 19" rack.

### FEATURES:

- Allows quick connection to any one of two devices from one COMMON device.
- Switches both the shield and center conductor of the coaxial interface via break-before-make rotary switch.
- **50 Ohm termination on unused port.**
- High quality sealed switch with self-wiping low impedance contacts.
- The ports are transparent to all data.
- No external power required. Manual operation.
- Switch case is a rugged aluminum enclosure for EMI/RFI shielding.
- **Up to eight Model 9077 Switch Modules can be housed in the Model 9025 Rack Chassis.**
- Lifetime warranty against manufacturing defects.
- Modular approach to switch requirements allows expansion to more channels on an as-needed basis.



### SPECIFICATIONS:

**PORT CONNECTORS:** (3) BNC connectors labeled A, B and COMMON.

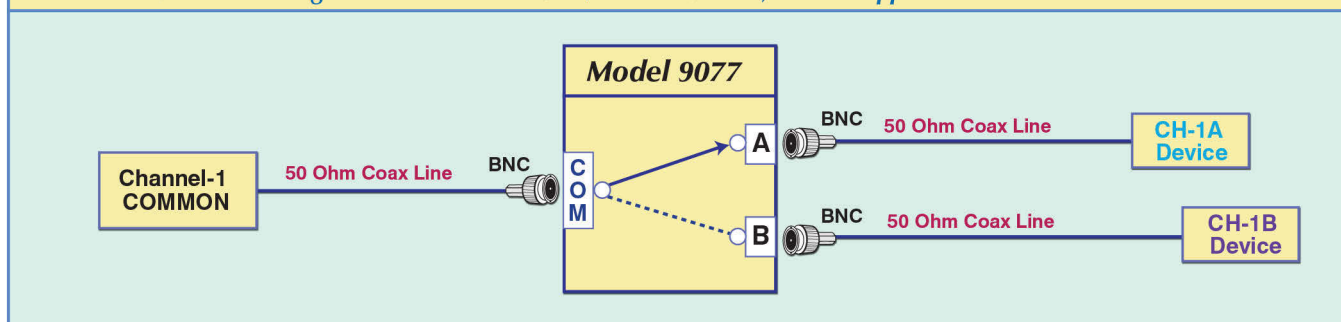
**FRONT PANEL CONTROL:** (1) Rotary switch on front panel selects A or B.

**POWER:** No power required. Manually Operated.

**DIMENSIONS:** Module 1.98" W x 5.06" H x 7.85" D. (5.1 x 12.9 x 20.0 cm).

**WEIGHT:** Approximately 0.7 lb. (0.4 kg)

### LineSelect™ Model 9077 Single Channel Coaxial BNC A/B Switch Module, 50 Ohm Application.



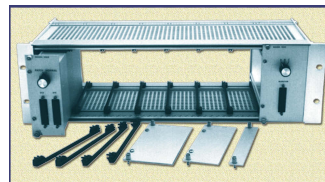
### Model 9025 Rackmount Chassis for Switch Modules (Cat No. 305972)

#### Features:

- Rackmount chassis supports multiple switch module chassis of various widths.
- Rack size 19" W x 5.25" H x 7" D. (3U Ht). (48.3 x 13.3 x 17.8 cm)
- Rack can accommodate up to eight BNC A/B modules (2.0" W). (5.1 cm)
- Full opening for modules is 16.8" W. (42.7 cm)

#### Optional:

- Module rack filler panel, 2.0" W (5.1 cm), Cat No. 305983.
- Module rack filler panel, 0.8" W (2 cm), Cat No. 305981.



Model 9025 (Cat. No. 305972) Rack Chassis supports Model 9077 (Cat. No. 305864) switch module. Shown here with other switch modules installed and optional filler panels.