

## Model 8057 Single Channel RJ45 Cat5e A/B Rotary Switch, No Enclosure

- High quality cabled RJ45 Cat5e A/B Switch, ready for installation into your custom enclosure.
- Applicable to switching ANY RJ45 interface devices.

### INTRODUCTION

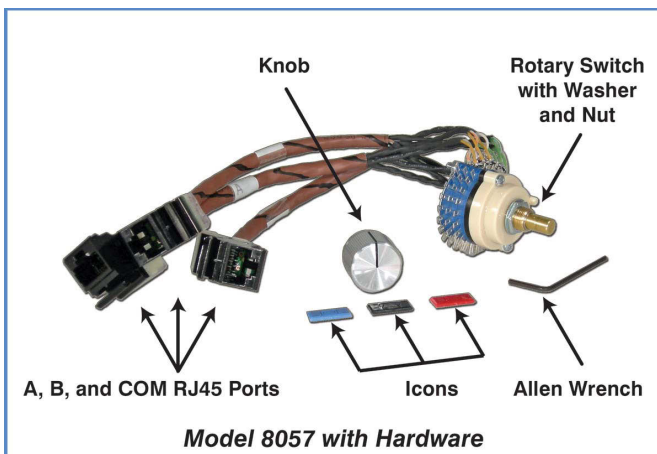
The Model 8057 Single Channel RJ45 Cat5e A/B Rotary Switch allows the user the capability of accessing two separate devices, ports A and B, via connection through a device connected to the Common port. **The Model 8057 is provided as a rotary switch with cabled RJ45's for installation into any custom enclosure.** No power is required for operation.

### FEATURES:

- The switch ports are transparent to all data.
- All (8) pins of the RJ45 interface are switched.
- No power required for operation.
- Switch and cabled RJ45's allow install into custom enclosures.
- **Leg Lengths: 8" (20.3 cm).**
- Certified for Cat 5e compliance.

### COMPONENTS PROVIDED:

- **Rotary Switch with A/B/COM RJ45's** – The switch has the RJ45's soldered and labeled appropriately. The washer and nut for installing the switch is provided on the switch.
- **Knob** – To be installed on the rotary switch shaft to facilitate turning the switch. (P/N 502241).
- **Icons** – Blue/Black/Red icons (1 of each) provided that show a "Computer" image on one side and a "Telephone" image on the other. These are used to secure the RJ45's once installed in an enclosure.
- **Allen Wrench** – The 1/16" Allen wrench provided for installing the knob. (P/N 507460).



### Model 8057



### SPECIFICATIONS:

**PORT CONNECTORS:** (3) RJ45 female connectors labeled A, B, and COMMON.

**TWO SWITCH POSITIONS:** (1) Rotary switch selects **COM to A**, or **COM to B**.

**PINS SWITCHED:** All 8 pins are switched.

**POWER:** No power required. Manually operated.

**WEIGHT:** Approximately, 0.3 lb. (0.2 kg)

**LEG LENGTHS: 8" (20.3 cm)**

**CUSTOM LEG LENGTHS ARE AVAILABLE ON REQUEST. CALL FOR QUOTE.**

