

PathWay® Model 7465 8-Channel RJ45 A/B Switch with 10/100Base-T LAN Telnet Access

- **IP Addressable. Remotely control the switch via Telnet command interface.**
- **Ideal for Commercial-Off-The-Shelf (COTS) purchase applications**

INTRODUCTION

The PathWay® Model 7465 8-Channel RJ45 A/B Switch with Telnet allows the user the capability of sharing a single device, connected to the "COMMON" port, among two other devices, connected to the "A" and "B" ports, for each channel. The Model 7465 has both local and remote access functionality. Remote access functionality is achieved through the use of an Ethernet 10/100Base-T connection and Telnet commands. The Model 7465 is enclosed in a 1U, full rack size, all metal black chassis designed to provide EMI/RFI shielding and fit in a standard 19" rack.

FEATURES:

- Independently control each channel either locally via front panel pushbuttons or remotely via the REMOTE port.
- The switch ports are transparent to all data.
- Pins 2, 4, 5, and 7 of the RJ45 interfaces are switched via break-before-make electromechanical relays.
- The unit maintains last set position on power loss and continues to pass data.
- Control of the switch position from a 10/100Base-T LAN Ethernet environment. IP Addressable!
- Remote Control Telnet Command Interface that allows the user to control switch position, lockout front panel operations, and obtain switch status.
- Front panel LED's display present position and power status.
- **Expanded storage temperature, -28° to +60° C (based on component spec analysis).**
- Custom length RJ45 cables available. See Cat. No.'s 990328 thru 990336.
- ★ **Municipalities, schools, government: On GSA Schedule!**



SPECIFICATIONS:

PORT CONNECTORS: All (24) RJ45(F) ports are located on the rear panel. (8) "A" ports, (8) "B" ports, (8) "Common" ports.

FRONT PANEL CONTROLS: (8) Manual pushbuttons allow local switching.

DISPLAY: (16) Front panel LED's display switch position and power status.

REMOTE CONTROL: (1) RJ45(F) Connector on rear panel accepts 10/100-Base-T LAN Access Ethernet for Remote Control operation.

POWER: (Cat No. 522916) CE and UL listed wide voltage range and expanded storage temperature range, table mount power module and power cord is supplied as standard with the Model 7465.

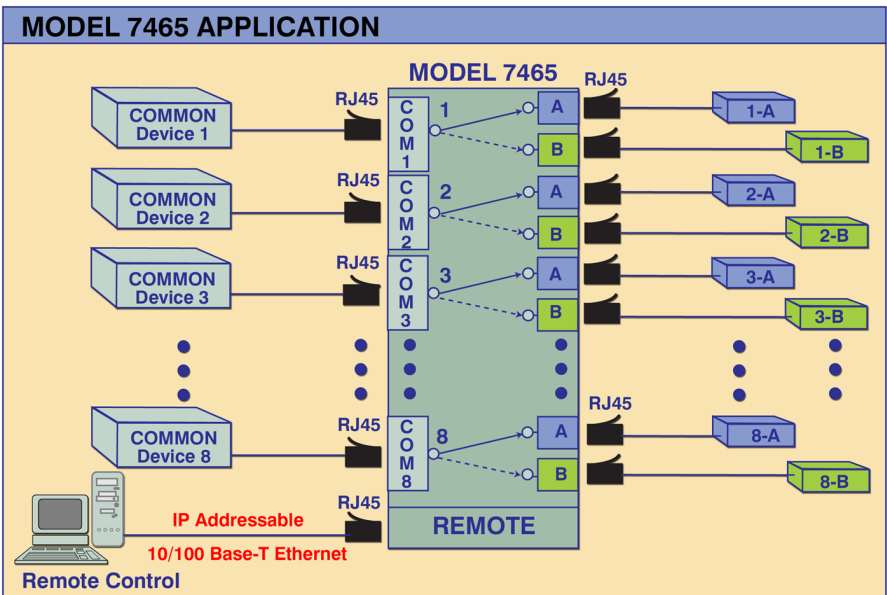
Input: 100VAC/240VAC, 50Hz/60Hz.

Output: +12VDC, 2.5A.

DIMENSIONS: 19" W x 1.75" H x 10.3" D.

(48.3 x 4.4 x 26.2 cm)

WEIGHT: 5.9 lbs.(2.7 kg)



NO REMOTE CONTROL?

For a similar switch without the Remote Control, see Model 7462, Cat. No. 307462.

Cat5e patchcords... For Your Switch In stock and ready to ship!

Color	Cat. No.
Black	990328-XXX FT
Blue	990329-XXX FT
Green	990330-XXX FT
Orange	990331-XXX FT
Purple	990332-XXX FT
Red	990333-XXX FT
Grey	990334-XXX FT
White	990335-XXX FT
Yellow	990336-XXX FT