

# PathWay® Model 7358 RJ45/48 T1 Interface A/B Switch, with Telnet and GUI Remote Control

## INTRODUCTION

The PathWay® Model 7358 RJ45/48 T1 Interface A/B Switch with Telnet and GUI Remote Control allows the user the capability of sharing a single port interface device connected to the "COMMON" port among two other devices connected to the "A" and "B" ports with remote access functionality. Remote Control access can be accomplished using an Ethernet 10/100 Base-T connection and either Telnet commands or graphical user interface. The Model 7358 is enclosed in a 1U, full rack size, black anodized chassis designed to provide EMI/RFI shielding and fit in a standard rack.



## FEATURES

- Allows quick connection to any one of two RJ45/48 T1 Interface devices from one COMMON device.
- Switches all 8 pins of the RJ45/48 interface.
- Transparent to data speed and format.
- Local control via front-panel pushbutton.
- Remote control RJ45 port is IP addressable, 10/100 Base-T LAN Ethernet environment.
- Remote Control Telnet command interface or Graphical User Interface that allow the user to control switch position, lockout front panel operations and obtain switch status.
- Remote control of the switch is password protected, where the password protection can be disabled.
- Eliminates the need to plug and unplug cables.
- Front panel LED's display switch position and power status.
- Retains last switch position even in the event of power loss and continues to pass data.
- Attractive anodized black box packaging provides EMI/RFI shielding.
- Custom length RJ45 cables available for your switch installation.

★ **Municipalities, schools, government: This product is on GSA Schedule!**

## SPECIFICATIONS:

**PORT CONNECTORS:** (3) RJ45 female connectors labeled A, B, and COMMON.

**FRONT PANEL CONTROL:** (1) Manual pushbutton allows local switching.

**DISPLAY:** (2) Front panel LED's display switch position and power status.

**REMOTE:** (1) RJ45 female connector on rear panel accepts 10/100 Base-T LAN access Ethernet for Remote control operation.

**POWER:** UL approved 100VAC/240VAC, 50Hz/60Hz wall mount module supplies 12 VDC, 500 mA to the unit. Has 2-prong, US, non-polarized plug.

**DIMENSIONS:** Rackmount configuration 19.0" W x 1.75" H x 8.0" D. (48.3 x 4.4 x 20.3 cm)

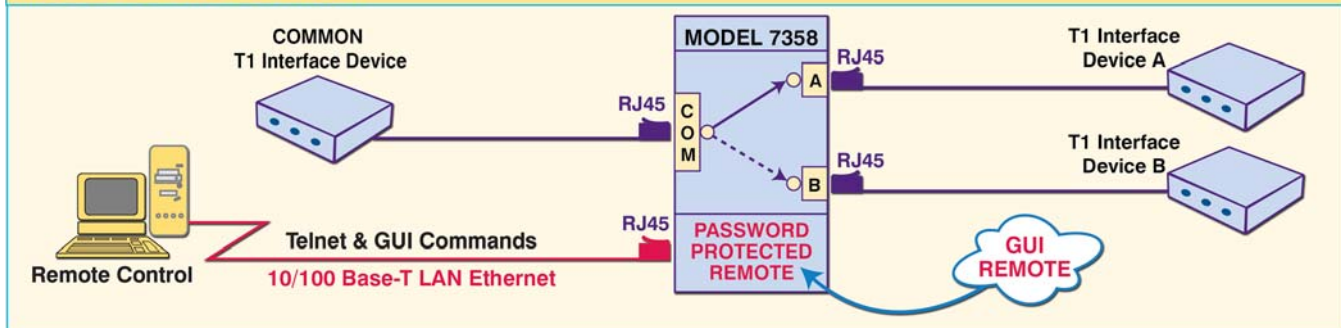
**WEIGHT:** Approximately 4.2 lbs. (1.9 kg)

## WIDE RANGE POWER OPTION AVAILABLE:

(Cat No 517277) **CE, RoHS, and UL** listed table mount power module, 100VAC/240VAC, 50Hz/60Hz for use in place of standard power module that is included with the unit. Has IEC 60320 C14 inlet. **Ideal for international applications.**

**RJ45 vs RJ48:** RJ45 and RJ48 use the same eight-pin modular connector, differing only in the way they are wired (the pin selection/pairing). The Model 7358 switches all eight pins of the RJ45 connector, thereby accommodating any wiring scheme.

## MODEL 7358 APPLICATION:



## UTILIZING THE USER-FRIENDLY REMOTE GRAPHICAL USER INTERFACE SOFTWARE

To connect to the switch from a workstation or computer having access to the LAN that the Model 7358 LAN port is connected to, simply launch a standard web browser and type in the appropriate IP address. The Java Applet will be automatically uploaded from the switch upon connection. The environment requirement for the GUI is Java 1.6 and above.

The Java Applet can also be accessed from the DeviceInstaller application. To control the Model 7358 using DeviceInstaller, follow the steps listed below.

- Open your DeviceInstaller application by clicking "Start->Programs->Lantronix->DeviceInstaller->DeviceInstaller"
- When the DeviceInstaller GUI opens up, the first task it performs is to look for any Lantronix devices attached to the local area network. You will see that, when devices are found, the left pane of the DeviceInstaller GUI will indicate so by displaying information below "Local Area Connection" which is your own local PC. You must then expand the tree of elements until you reach the lowest level, which represents the IP address of your actual device. When you do so, three tabbed panels will appear in the right-most pane as in Figure 2. Please select the pane labeled "Web Configuration".
- The IP Address of the switch will appear at the top of the panel, along with a green 'GO' button. To launch the Model 7358 GUI, simply click the 'GO' button.

## SOFTWARE FEATURES

- Access User Interface via standard web browser.
- **Easy to use, simple point and click operation.**
- Remotely access to control or monitor the Model 7358 Switch System.
- Users can change the switch's IP address.
- LAN access gives users across the LAN or over the Internet access to control if user network is configured accordingly.



Figure 1: GUI in a Standard Web Browser



Figure 2: GUI in DeviceInstaller

## LOGGING into the GUI

Once logged in, the user can perform one of several actions:

- Change the switch position
- Lockout control of the switch's front panel
- Change the login password
- Enable or Disable password protection
- Re-configure the switch's IP address

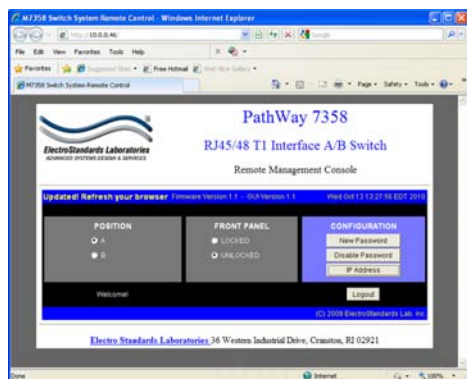
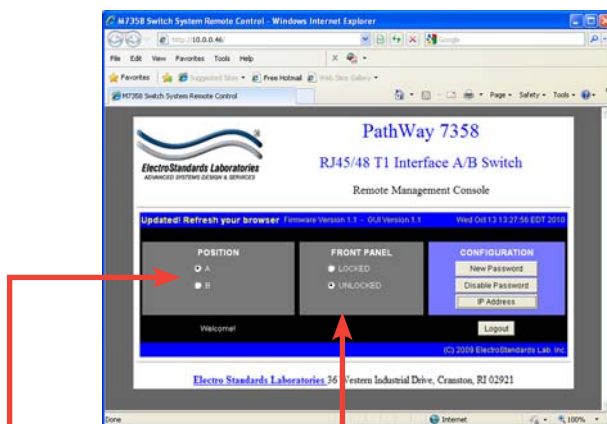


Figure 3: Logging into the GUI

## CHANGING POSITION AND LOCK STATUS

To change the switch position, click on the radio button "A" or "B" as desired. Locking and unlocking the front panel pushbutton can be done by clicking on the "Locked" or "Unlocked" radio buttons. See Figure 4.



Switch position by selecting "A" or "B".  
Lock and unlock the front panel operation

Figure 4: Change the position and lockout from the GUI