



Electro Standards Laboratories
ADVANCED SYSTEMS DESIGN & SERVICES

SPECIFICATIONS
MODEL 7307
Cat. No. 307307

PathWay® Model 7307 Tri-Channel RJ45 Cat 5e A/B Switch with Telnet and GUI

- **Quickly and easily switch all three RJ45 Cat5e channels simultaneously!**
- **IP Addressable!**

INTRODUCTION

The PathWay® Model 7307 Tri-Channel RJ45 Cat5e A/B Switch with Telnet and GUI allows the user the capability of sharing a single port interface device connected to the "COMMON" port among two other devices connected to the "A" and "B" ports, for each channel. Remote Control access can be accomplished using an Ethernet 10/100BASE-T connection and either Telnet commands or Graphical User Interface. Enclosed in a 1U, full rack size, all metal black chassis designed to provide EMI/RFI shielding and fit in a standard 19" rack.

FEATURES:

- Each channel allows access to two RJ45 Cat5e networks from one COMMON network or device.
- All (8) pins of the RJ45 interface are switched via break-before-make electromechanical relays.
- **Simultaneous control of all channels.**
- Front panel pushbutton control.
- Switch maintains position on power loss and continues to pass data.
- Control of the switch position from a 10/100Base-T LAN Ethernet environment. **IP Addressable!**
- Remote Control Telnet Command Interface and Graphical User Interface that allow the user to control switch position, lockout front panel operations, and obtain switch status.
- Remote control of the switch is password protected, where the password protection can be disabled.
- Password protection supports up to 8 different usernames for user-level access, with a single admin account to manage them all via the Telnet Interface or the Graphical User Interface
- Remote Control actions logged by sending time stamped events to a remote SysLog server. User enters internet address of a SysLog and an NTP server to assign time stamp to events.
- Enhanced password security imposing a 13-character minimum length password forcing at least (1) numeric character and (1) special character.
- Simple Network Management Protocol (SNMP) V2.



SPECIFICATIONS:

PORT CONNECTORS: (9) RJ45(F) connectors total (A, B, and COMMON for each of three channels).

FRONT PANEL CONTROL: (1) Pushbutton allows local switching.

DISPLAY: (2) Red LED's display switch position and power status.

REMOTE CONTROL: (1) RJ45 female connector accepts 10/100 BASE-T LAN Ethernet that uses both Telnet Commands and a GUI Interface for Remote Control operation.

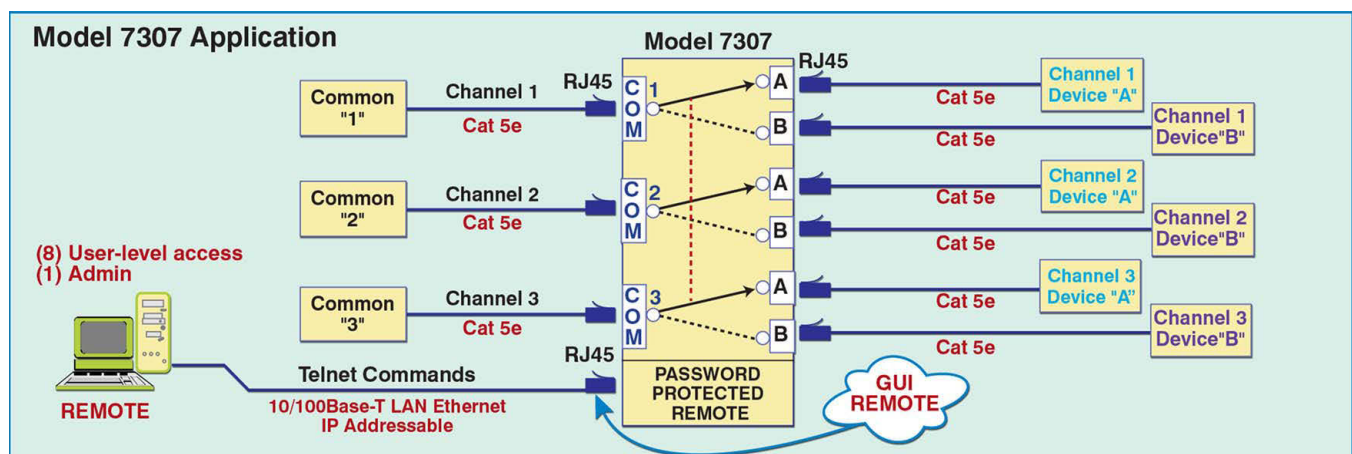
POWER: UL approved wall mount 100VAC/240VAC, 50Hz/60Hz power module supplies 12 VDC, 500 mA to the unit. Has 2-prong, US, non-polarized plug.

DIMENSIONS: Rackmount configuration 19" W x 1.75" H x 8" D. (48.3 x 4.4 x 20.3 cm).

WEIGHT: Approximately 4.4 lbs. (2.0 kg)

WIDE RANGE POWER OPTION AVAILABLE:

(Cat No 517277) **CE, RoHS, and UL** listed table mount power module, 100VAC/240VAC, 50Hz/60Hz for use in place of standard power module that is included with the unit. Has IEC 60320 C14 inlet. **Ideal for international applications.**



Ethernet Remote Port, I.P. Addressable, with GUI

UTILIZING THE USER FRIENDLY REMOTE GRAPHICAL USER INTERFACE SOFTWARE

To connect to the switch from a workstation or computer having access to the LAN that the switch's LAN port is connected to, simply launch a standard web browser and type in the appropriate IP address. The Java Applet will be automatically uploaded from the switch upon connection. The environment requirement for the GUI is Java 1.7 and above.

LOGGING INTO REMOTE CONTROL GUI

There is no authentication enabled by default. Enable authentication by clicking the "Enable Authentication" button.



Figure 1: Enable Authentication.

LOGGING INTO REMOTE CONTROL GUI

When authentication is enabled, the GUI will prompt for the username and password to be entered before any operation can be done.



Figure 2: Enabled Log In prompting username & password.

CHANGING SWITCH POSITION AND LOCK STATUS

To change the switch position of a channel, click on the radio button "A" or "B" as desired. Locking and unlocking the front panel pushbuttons can be done by clicking on the "Locked" or "Unlocked" radio buttons.

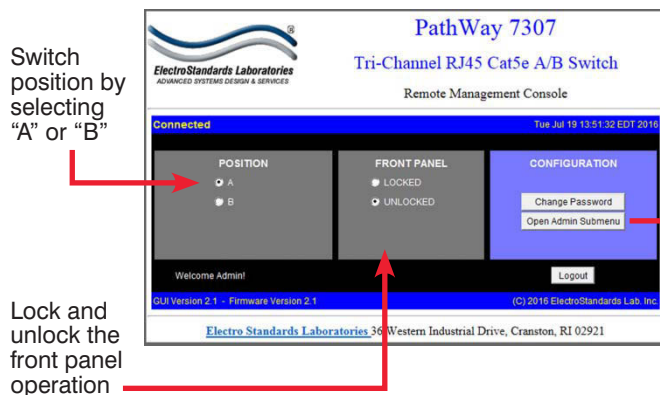


Figure 3: Change the position and lockout from the GUI

ADMIN Submenu

The Remote Control GUI provides ways to change the IP address configuration, as well as change passwords, add/delete users, and/or enable/disable authentication entirely and setup Syslog. Only the admin can edit the IP address, add/delete users, disable authentication, and setup Syslog. These admin-only actions are available in the Admin Submenu.

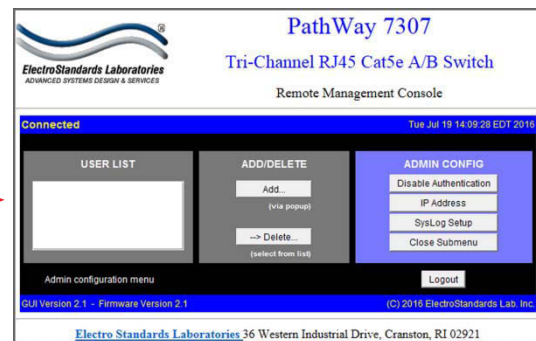


Figure 4: The Admin-only section is in Admin Submenu.