

Model 7245-ESL Dual Channel RS530 Secure/Non-Secure Switch w/Cutoff & Fiber Optic ST Duplex Secure/Non-Secure Switch/Converter w/Cutoff

INTRODUCTION

The Model 7245-ESL Dual Channel RS-530 and ST Duplex (1300nm wavelength) Fiber Optic Secure/Non-Secure Switch with Cutoff provides two channel switching. The Model 7245-ESL is enclosed in a 1U, full rack size, all metal black chassis designed to fit in a standard 19" rack.

Channel One allows the user the capability of sharing a single DB25(F) interface device connected to the "COMMON" port among two other DB25(M) devices connected to the "SECURE" AND "NON-SECURE" DB25 ports.

Channel Two allows the user the capability of sharing a 10/100 Base-T device connected to the "COMMON" port among two ST Duplex (1300nm wavelength) Fiber Optic devices connected to the "SECURE" and "NON-SECURE" Fiber Optic ports. Both channels allow the user to set the switches to the "CUTOFF" position, which stops any and all data throughput for the switch. The switches may be controlled locally by manually operating the front panel pushbuttons or remotely from the DB9 Control port located on the rear of the unit using either contact closures or an RS232 command interface. The front panel LED's display switch position and power status.

All ports ("SECURE", "NON-SECURE", and "COMMON") are transparent to all data. If power to the Model 7245-ESL is removed, both switches will automatically move to the "CUTOFF" position. When power is restored, each switch will move to the programmed default position.

FEATURES:

- **Both Channels offer SECURE / NON-SECURE / CUTOFF switch positions with Remote Control.**
- **Channel One** is RS530 compatible. All 25 pins are switched.
- **Channel Two** is Fiber Optic ST Duplex, multimode. Wavelength 1300 nm, fiber size 62.5/125 micron, 100 Meg data rate.
- Remote switching via DB9 Remote port on rear panel.
- Local switching via two front panel pushbuttons.
- Local switch change sends ASCII text over the RS232 interface to notify the user of the new switch position.
- All ports are located on the rear panel.
- Status LED's on the front panel indicate the switch position & power status.
- Either channel can be set to "CUTOFF" position, which stops any and all data throughput for the switch.



SPECIFICATIONS:

CHANNEL 1 PORT CONNECTORS: (3) DB25 (M/M/F) connectors labeled SECURE, NON-SECURE and COMMON, respectively.

CHANNEL 2 PORT CONNECTORS: (2) Fiber optic ST Duplex connectors labeled SECURE and NON-SECURE, (1) RJ45 (F) connector labeled COMMON.

FRONT PANEL CONTROLS: (2) Manual pushbuttons allow local switch of channels 1 and 2.

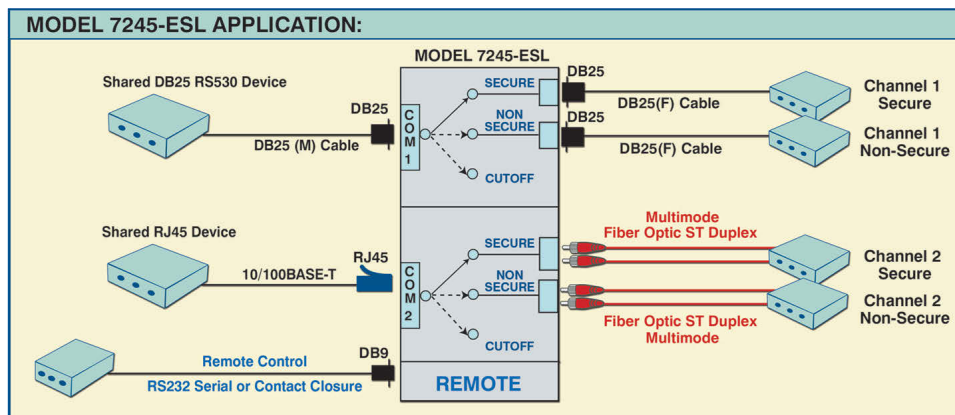
REMOTE CONTROL: DB9 female connector on rear panel accepts contact closure or RS232 serial data.

LOCAL DISPLAY: (6) LEDs on front panel display switch position and power presence.

POWER: 115 VAC, 60 Hz wall mount supply.

DIMENSIONS: 19.0" W x 1.75" H x 8.0" D. [48.3 X 4.5 X 20.3 cm]

WEIGHT: 4.5 lbs. [2.1 kg]



REMOTE CONTROL VIA CONTACT CLOSURE	
DB9 PIN #	SIGNAL
1	CH1, Contact #1
4	CH1, Contact #2
6	CH1, Contact Ground
7	CH 2, Contact #1
8	CH 2, Contact #2
9	CH2, Contact Ground

REMOTE CONTROL VIA SERIAL DATA		
DB9 PIN #	SIGNAL	DIRECTION
2	RD	Output
3	TD	Input
5	Signal Gnd	---