



Electro Standards Laboratories

ADVANCED SYSTEMS DESIGN & SERVICES

SPECIFICATIONS

MODEL 7234

Cat. No. 303234

# PathWay® Model 7234 Quad-Channel RJ45 Cat5e A/B Switch with Remote Control Port

**• Quickly and easily switch all four RJ45 Cat5e channels simultaneously!**

## INTRODUCTION

The PathWay® Model 7234 Quad Channel RJ45 Cat5e A/B Switch with Contact Closure Remote allows the user the capability of accessing two separate devices, ports A and B, via connection through a device connected to the Common port, for each channel. The Model 7234 is enclosed in a 1U, full rack size, all metal black chassis designed to provide EMI/RFI shielding and fit in a standard 19" rack.

The switch may be controlled manually via the front panel pushbutton or remotely from a DB9 port located on the rear of the unit. Switch position state may be attained via the front panel LED's or from the DB9 Remote port.



## FEATURES:

- Each channel allows access to two RJ45 Cat5e networks from one COMMON network or device.
- The switch ports are transparent to all data.
- Eliminates the need to plug and unplug cables.
- All (8) pins of the RJ45 interface are switched via break-before-make electromechanical relays.
- The unit maintains last set position on power loss and continues to pass data.
- Upon power up, the unit switches based on the state of the Contact Closure.
- Front panel pushbutton control.
- Simultaneous control of all channels.
- Remote Contact Closure control and status provides dry contact logic to allow the control of the switch position as well as obtain the present position.
- Front panel LED's display present position and power status.
- Certified for Cat5e compliance.
- Attractive all metal black box packaging provides EMI/RFI shielding.
- **Custom length RJ45 Cat5e cables available for your switch installation. Get Better performance!**

## Specifications:

**DATA CONNECTORS:** (12) RJ45 female connectors; three labeled A, B, and COMMON for each channel.

**CONTROL:** (1) Manual Pushbutton allows local switching.

**DISPLAY:** (2) Front panel LED's display switch position and power status.

**REMOTE CONTROL:** (1) DB9 female connector on rear panel accepts dry contact closure switch commands for Remote Control operation.

**POWER:** UL approved 100VAC/240VAC, 50Hz/60Hz wall mount power module supplies 12VDC, 500mA to the unit. Has 2-prong, US, non-polarized plug.

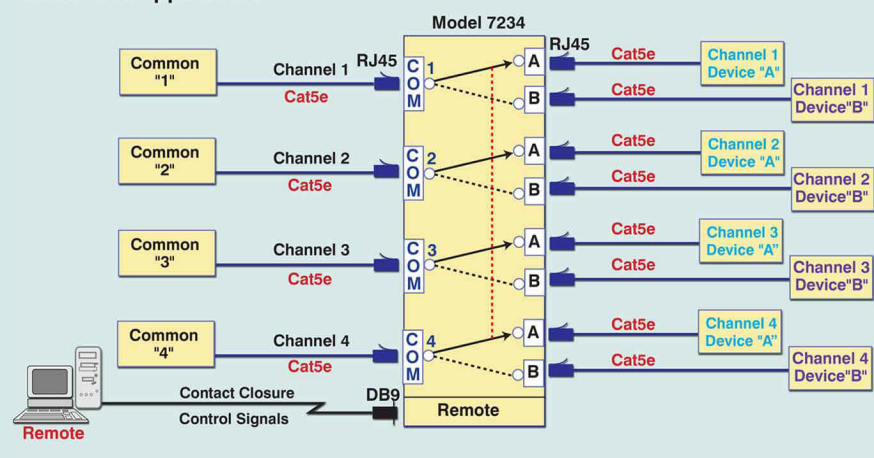
**DIMENSIONS:** 19.0"W x 8.0"D x 1.75"H (48.3 x 4.4 x 20.3 cm)

**WEIGHT:** Approx. 4.9 lbs. (2.2 kg)

## OPTION: WIDE RANGE POWER MODULE

(Cat No 517277) **CE, RoHS, and UL** listed table mount power module, 100VAC /240VAC, 50Hz/60Hz for use in place of standard power module that is included with the unit. Has IEC 60320 C14 inlet. **Ideal for international applications.**

## Model 7234 Application



## Cat5e patchcords... For Your Switch In stock and ready to ship!

Color	Cat. No.
Black	990328-XXX FT
Blue	990329-XXX FT
Green	990330-XXX FT
Orange	990331-XXX FT
Purple	990332-XXX FT
Red	990333-XXX FT
Grey	990334-XXX FT
White	990335-XXX FT
Yellow	990336-XXX FT

36 Western Industrial Drive, Cranston, RI 02921  
Tel: 401-943-1164 Fax: 401-946-5790

www.ElectroStandards.com  
E-mail: eslab@ElectroStandards.com

Pub. 4653-05