

PathWay® Model 7209 BNC A/B Switch with RS422 Remote Control, Rackmount

• **Ideal for switching BNC connections over long distances.**

INTRODUCTION

The PathWay® Model 7209 BNC A/B Switch with Remote allows the user the capability of accessing two separate BNC ports via the common port. The switch may be controlled manually via a front panel pushbutton or remotely from an RS422 interface serial port located on the rear of the unit. Switch position status may be attained via the front panel LED display or the remote RS422 serial port.

FEATURES:

- Allows quick connection to any one of two BNC interface devices from one COMMON device.
- Eliminates the need to plug and unplug cables.
- Center pin and shell switched.
- (3) Isolated BNC port connectors on rear panel.
- The switch ports are transparent to all data.
- Front panel pushbutton control or Remote RS422 ASCII Command access through the serial port.
- Front panel pushbutton controls can be locked out remotely.
- Front panel LEDs display switch position and power status.
- The unit maintains last set position on power loss and continues to pass data.
- Rugged aluminum enclosure provides EMI/RFI shielding.
- Custom length RG58 and Thinnet RG58 coaxial cables available.

★ **Municipalities, schools, government: This product is on GSA Schedule!**



SPECIFICATIONS:

PORT CONNECTORS: (3) BNC (F) connectors labeled A, B and COMMON.

FRONT PANEL CONTROL: (1) Manual pushbutton allows local switching.

DISPLAY: (2) Front panel LED's display switch position and power status.

REMOTE CONTROL: (1) DB9(F) REMOTE connector on rear panel accepts Serial RS422 ASCII commands.

POWER: UL approved 100VAC/240VAC, 50Hz/60Hz wall mount power module supplies 12 VDC, 500mA to the unit. Has 2-prong, US, non-polarized plug.

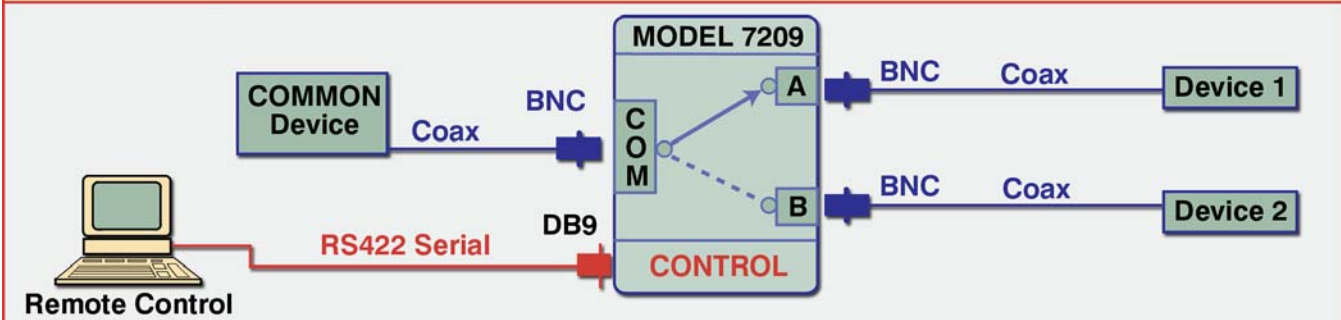
DIMENSIONS: Rackmount 19.0" W x 8.0" D x 1.75" H. (48.3 x 4.4 x 20.3 cm), (1U rack height).

WEIGHT: Approximately 4.5 lbs. (2.0 Kg)

WIDE RANGE POWER OPTION AVAILABLE:

(Cat No 517277) **CE, RoHS, and UL** listed table mount power module, 100VAC/240VAC, 50Hz/60Hz for use in place of standard power module that is included with the unit. Has IEC 60320 C14 inlet. **Ideal for international applications.**

Model 7209 Application



Suggested cables for use with Model 7209 Switch.

Part Number	Description	Unit Price
990136-006	RG58 Coaxial Cable, 50 ohm, 6 ft. (M/M)	32.10
990136-010	RG58 Coaxial, 50 ohm, 10 ft. (M/M)	33.50
890426-006	Thinnet RG58 Coaxial Cable, 50 ohm, 6 ft. (M/M)	33.00
890426-010	Thinnet RG58 Coaxial Cable, 50 ohm, 10 ft. (M/M)	35.00