

PathWay® Model 7193 Single Channel DB9 8-to-1 Switch with Telnet and GUI

INTRODUCTION

The PathWay® Model 7193 Single Channel DB9 8 to 1 Switch with Telnet and GUI allows the user the capability of sharing a single port interface device connected to the "COMMON" port among eight other devices connected to the ports labeled A, B, C, D, E, F, G, H with remote access functionality. Remote Control access can be accomplished using an Ethernet 10/100BASE-T connection and either Telnet commands or graphical user interface (GUI). The Model 7193 is enclosed in a 1U, full rack size, black anodized chassis designed to provide EMI/RFI shielding and fit in a standard 19" rack.



Features:

- Allows quick connection to any one of eight DB9 interface devices from one COMMON device.
- Switches all 9 pins of the DB9 interface.
- Transparent to data speed and format.
- Local control via front-panel pushbuttons.
- Control of the switch position from a 10/100-Base-T LAN Ethernet environment.
- Remote Control Telnet command interface or Graphical User Interface that allow the user to control switch position, lockout front panel operations and obtain switch status.
- Switch maintains position on power loss and continues to pass data.
- Front panel LED's display switch position and power status.
- Eliminates the need to plug and unplug cables.
- Attractive anodized black box packaging provides EMI/RFI shielding.
- Custom length DB9 cables available for your switch installation.

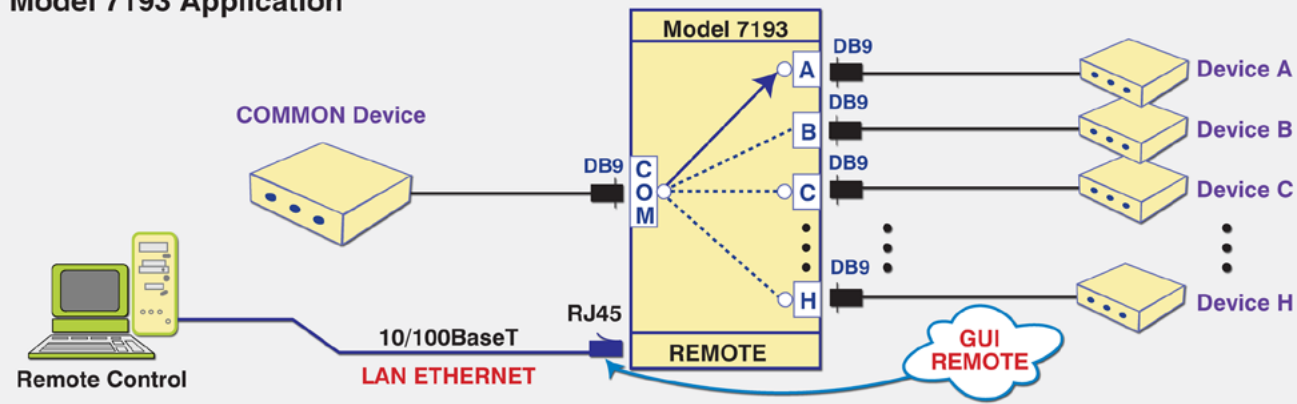
SPECIFICATIONS:

- PORT CONNECTORS:** (9) DB9 female connectors labeled A, B, C, D, E, F, G, H and COMMON.
- FRONT PANEL CONTROL:** (8) Manual pushbuttons allow local switching.
- DISPLAY:** (8) Front panel LED's display switch position and power status.
- REMOTE CONTROL:** (1) RJ45 female connector on rear panel accepts 10/100 Base-T LAN Ethernet, Telnet and Graphical User Interface.
- POWER:** UL approved 100VAC/240VAC, 50Hz/60Hz wall mount power module supplies 12 VDC, 500mA to the unit. Has 2-prong, US, non-polarized plug.
- DIMENSIONS:** Rackmount, 19.0" W x 1.75" H x 8.0" D. (48.2 x 4.4 x 20.3 cm)
- WEIGHT:** Approximately 6.2 lbs. (2.8 kg).

OPTION: WIDE RANGE POWER MODULE

(Cat No 517277) **CE, RoHS, and UL** listed table mount power module, 100VAC/240VAC, 50Hz/60Hz for use in place of standard power module. Has IEC 60320 C14 inlet. **Ideal for international applications.**

Model 7193 Application



UTILIZING THE USER-FRIENDLY REMOTE GRAPHICAL USER INTERFACE SOFTWARE

To connect to the switch from a workstation or computer having access to the LAN that the Model 7193 LAN port is connected to, simply launch a standard web browser and type in the appropriate IP address. The Java Applet will be automatically uploaded from the switch upon connection. The environment requirement for the GUI is Java 1.6 and above.

The Java Applet can also be accessed from the DeviceInstaller application. To control the Model 7193 using DeviceInstaller, follow the steps listed below.

- Open your DeviceInstaller application by clicking “Start->Programs->Lantronix->DeviceInstaller->DeviceInstaller”
- When the DeviceInstaller GUI opens up, the first task it performs is to look for any Lantronix devices attached to the local area network. You will see that, when devices are found, the left pane of the DeviceInstaller GUI will indicate so by displaying information below “Local Area Connection” which is your own local PC. You must then expand the tree of elements until you reach the lowest level, which represents the IP address of your actual device. When you do so, three tabbed panels will appear in the right-most pane as in Figure 2. Please select the pane labeled “Web Configuration”.
- The IP Address of the switch will appear at the top of the panel, along with a green ‘GO’ button. To launch the Model 7193 GUI, simply click the ‘GO’ button.

SOFTWARE FEATURES:

- Access User Interface via standard web browser, including:
 - o Change the switch position
 - o Lockout control of the switch’s front panel
- Easy to use, simple point and click operation.
- Remotely access to control or monitor the Model 7193.
- Users can change the switch’s IP address and configuration.
- LAN access gives users across the LAN or over the Internet access to control if user network is configured accordingly.



Figure 1: GUI in a Standard Web Browser



Figure 2: GUI in DeviceInstaller

CHANGING POSITION AND LOCK STATUS

To change the switch position, click on the radio button “A”, “B”, “C”, “D”, “E”, “F”, “G”, or “H” as desired. Locking and unlocking the front panel pushbutton can be done by clicking on the “Locked” or “Unlocked” radio buttons. See Figure 3.



Switch position by selecting “A”, “B”, “C”, “D”, “E”, “F”, “G” or “H”

Lock and unlock the front panel operation

Figure 3: Change the position and lockout from the GUI

QUERYING THE STATUS OF THE UNIT

Once connected, the GUI will stay up-to-date on the current position and status of the unit. Any changes that are made outside of the GUI, such as by pushbutton, will be reflected in the GUI. These changes will cause the radio buttons of the GUI to automatically change to show the new status. The GUI will report the source of the most recent change in the bottom left of the panel. See Figure 4.



User is alerted in GUI panel: “Switch has been changed by a pushbutton”

Figure 4: The GUI is alerted to changes in the unit status.