

# QuickSwitch® 7188 4-Channel Fiber Optic A/B Switch, LC Duplex with Ethernet and RS232 Remote Control

## INTRODUCTION:

The **QuickSwitch® 7188** 4-Channel Fiber Optic LC Duplex A/B Switch with Ethernet and RS232 Remote allows the user the capability of sharing a single port interface device connected to the "COMMON" port among two other devices connected to the "A" and "B" ports for each channel. Remote Control access can be accomplished via the RJ45(F) REMOTE port using an Ethernet 10/100BASE-T connection and either Telnet commands or graphical user interface, or can be accomplished via the DB9(F) REMOTE port using RS232 serial commands.

## FEATURES:

- All fiber optic ports are LC Duplex Connectors, Multimode, 62.5/125 micron, support a wavelength of 1300nm, and support speeds of 100Mbps.
- The switch ports are transparent to all data.
- Independent front panel pushbutton control for each channel.
- Front panel LED's display present position for each channel and power status.
- **The switch has (2) Remote Control ports.**  
**The primary Remote Control port** is an RJ45 10/100 Base-T Ethernet Remote Port that accepts both Telnet commands and a GUI interface.  
**The secondary Remote Control port** is a DB9(F) that accepts RS232 Serial ASCII commands.
- When power is lost, unit isolates all communication ports and does not pass data.
- When power is restored, the unit automatically switches to the last known position.
- IP Addressable.

## SOFTWARE FEATURES:

- Access User Interface via standard web browser.
- **Easy to use, simple point and click operation. For complete details and screen capture images, request operation manual.**
- Remotely access to control or monitor the **QuickSwitch® 7188** Switch System.
- Users can change the switch's IP address.
- LAN access gives users across the LAN or over the Internet access to control if user network is configured accordingly.



## SPECIFICATIONS:

**PORT CONNECTORS:** (12) Fiber Optic LC duplex, multimode connectors labeled A, B, and COMMON.

**FRONT PANEL CONTROLS:** (4) Front panel pushbuttons allow selection of switch position.

**DISPLAY:** (8) Front panel LED's display switch position and power status.

**PRIMARY REMOTE CONTROL:** (1) RJ45 female connector on rear panel accepts 10/100 Base-T LAN access Ethernet that uses both Telnet commands and a GUI interface for remote control operation.

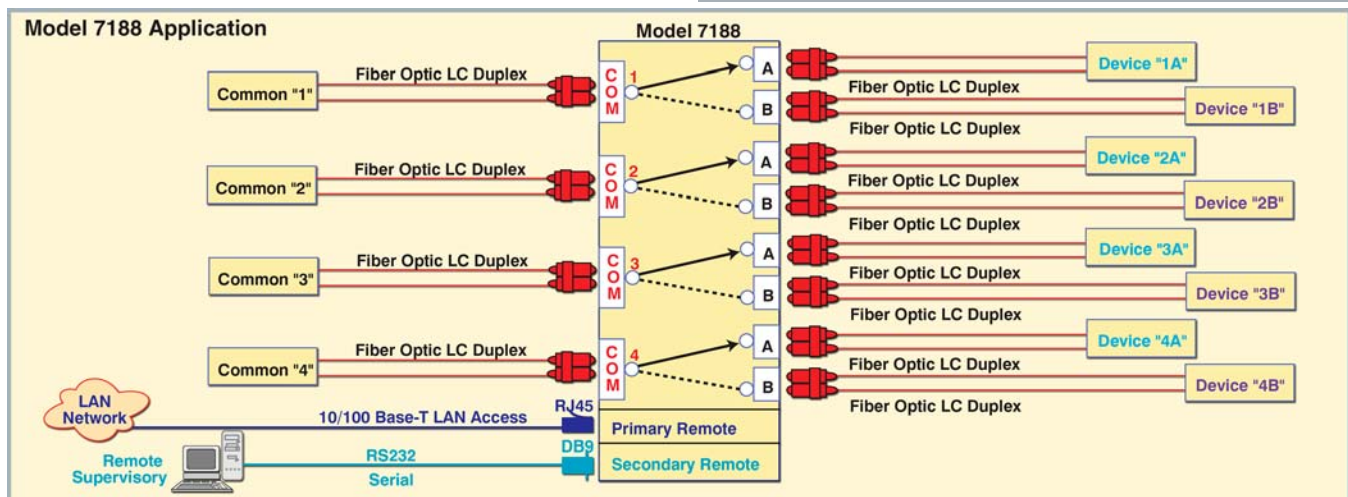
**SECONDARY REMOTE CONTROL:** (1) DB9(F) connector on rear panel accepts ASCII RS232 Serial Data for remote control operation.

**FIBER SIZE & WAVELENGTH:** Multimode, 62.5/125 micron, 1300 nm.

**POWER:** "Wide Range" CE, RoHS, and UL listed table mount power module (Cat. No. 517277) 100VAC/240VAC, 50Hz/60Hz. Has IEC 60320 C14 inlet. Ideal for international applications.

**DIMENSIONS:** Rackmount, 19.00" W x 10.0" D x 3.5" H (48.3 x 25.4 x 8.9 cm)

**WEIGHT:** Approximately 7.5 lbs (3.4 kg).



## Custom Fabricated Fiber Optic Cables For Your Network Switch Installation.

- ESL Custom Fabricated Fiber Optic Cable Assemblies are of the highest quality available.
- All Cables are expertly polished and 100% tested for low insertion loss and back reflection.
- These custom cables use the highest quality fiber optic cable material and our connectors are all brand name connectors, AMP, Molex, Siecor.
- Our cable assembly clean room is designed for quick turn-around for standard or special requirements.
- We have a specially trained team of dedicated experienced assemblers ready to meet all your requirements.

## To Order Fiber Optic Cables

- **By Phone:** Call 1-401-943-1164 for technical assistance.
- **On Line:** <http://www.electrostandards.com/Products-Custom/Fiber-Optic-Cable/>
- **By Fax:** Please fill out form completely and fax to Electro Standards Laboratories at 1-401-946-5790. If you need assistance please don't hesitate to call us.



Scan QR code:  
For Online  
Fiber Optic Cable Form

Select your "A" and "B" connector type by placing a check mark next to the appropriate connector, then select the appropriate categories for your fiber optic cable requirement.

<p><b>Connector "A" Information</b></p> <p><b>TYPE</b></p> <p><input type="checkbox"/> ST  <input type="checkbox"/> SC  <input type="checkbox"/> SC Duplex  <input type="checkbox"/> FC  <input type="checkbox"/> FDDI  <input type="checkbox"/> ESCON  <input type="checkbox"/> LC  <input type="checkbox"/> MTRJ  <input type="checkbox"/> MTP  <input type="checkbox"/> MTP <input type="checkbox"/> 1x12 <input type="checkbox"/> 2x12 <input type="checkbox"/> 3x12  <input type="checkbox"/> SMA905  <input type="checkbox"/> SMA906  <input type="checkbox"/> NONE (Pigtail)  <input type="checkbox"/> Other _____</p> <p><b>Polarity</b></p> <p><input type="checkbox"/> Female  <input type="checkbox"/> Male</p>	<p><b>Connector "B" Information</b></p> <p><b>TYPE</b></p> <p><input type="checkbox"/> ST  <input type="checkbox"/> SC  <input type="checkbox"/> SC Duplex  <input type="checkbox"/> FC  <input type="checkbox"/> FDDI  <input type="checkbox"/> ESCON  <input type="checkbox"/> LC  <input type="checkbox"/> MTRJ  <input type="checkbox"/> MTP  <input type="checkbox"/> MTP <input type="checkbox"/> 1x12 <input type="checkbox"/> 2x12 <input type="checkbox"/> 3x12  <input type="checkbox"/> SMA905  <input type="checkbox"/> SMA906  <input type="checkbox"/> NONE (Pigtail)  <input type="checkbox"/> Other _____</p> <p><b>Polarity</b></p> <p><input type="checkbox"/> Female  <input type="checkbox"/> Male</p>	<p><b>Length</b> _____</p> <p><input type="checkbox"/> in Meters  <input type="checkbox"/> in Feet</p> <p><b>Mode</b></p> <p><input type="checkbox"/> Single Mode  <input type="checkbox"/> Multimode</p> <p><b>Fire Rating</b></p> <p><input type="checkbox"/> PVC Riser  <input type="checkbox"/> Plenum</p> <p><b>Core Size</b></p> <p><input type="checkbox"/> 50/125µm  <input type="checkbox"/> 62.5/125µm  <input type="checkbox"/> 9/125µm  <input type="checkbox"/> Other _____</p> <p><b>Cable Type</b></p> <p><input type="checkbox"/> Simplex  <input type="checkbox"/> Duplex  <input type="checkbox"/> Breakout  <input type="checkbox"/> Distribution  <input type="checkbox"/> Other _____</p>
<p>_____</p> <p>_____</p> <p>_____</p> <p>_____</p> <p>_____</p>		