

QuickSwitch® 6302 Dual Channel LC Duplex A/B Switch with Telnet and GUI

- IP Addressable For Critical Network Alternate-Path Switching!
- An Essential Tool for Centrally Operated Network Management Systems.

INTRODUCTION

The QuickSwitch® 6302 2-Channel LC Duplex A/B Switch with Telnet and GUI allows the user the capability of sharing a single port LC Duplex interface device connected to the "COMMON" port among two other devices connected to the "A" and "B" ports for each channel. Both channels are switched simultaneously. Remote access can be accomplished using an Ethernet 10/100Base-T connection and Telnet or GUI.

Proper authentication is required for remote access via the 10/100Base-T connection. Users can then monitor status, lockout front panel pushbutton control, and control switch position.

The QuickSwitch® 6302 is enclosed in a 1U, full rack size, all metal black chassis designed to fit in a standard 19" rack.



FEATURES:

- Each of two channels allows quick connection to any one of two LC Duplex fiber optic networks from one computer.
- **MEMS-based mirror/prism switch technology supports Gigabit data rates.**
- All fiber signals are switched via break-before-make MEMS-based mirror/prism switch technology.
- Bit-rate and data transparent.
- Both channels are switched simultaneously.
- All fiber ports are LC Duplex, multimode, 50/125 micron and support a wavelength of 850 nm.
- Local control via front-panel pushbutton.
- Control of switch position from a 10/100 Base-T Ethernet environment.
- Remote Control Telnet Command interface or Graphical User Interface that allows the user to control switch position, lockout front-panel operations and obtain switch position.
- Front-panel LED's display present position and power status.
- **IP addressable.**
- Remote Control of the switch is password protected.
- Retains last switch position in the event of a power loss and continues to pass data.
- When power is restored, unit maintains its position and continues to pass data.

SPECIFICATIONS:

FIBER SIZE & WAVELENGTH: 50/125 micron, 850 nm.

PORT CONNECTORS: (3) LC Duplex connectors labeled A, B, and COMMON for each of two channels.

CONTROL: (1) Pushbutton allows selection of switch position. Both channels switch simultaneously.

DISPLAY: (2) Red LED's display switch position and power status.

SUPERVISORY REMOTE PORT: (1) RJ45 (F) connector accepts 10/100 BASE-T LAN Ethernet that uses both TELNET commands and a GUI interface for remote control operation.

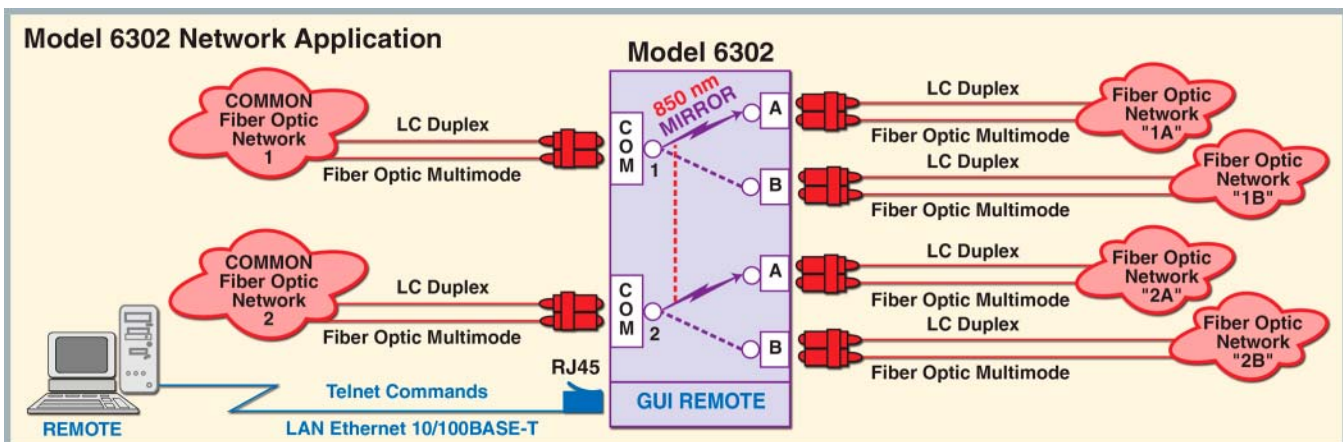
POWER: UL approved 100VAC/240VAC, 50Hz/60Hz wall mount power module supplies 12VDC 500 mA to the unit. Has 2-prong, US, non-polarized plug.

DIMENSIONS: Rackmount, 19.0" W x 1.75" H x 8.0" D. (48.3 x 4.4 x 20.3 cm)

WEIGHT: Approximately 4.2 lbs. (2.9 kg)

WIDE RANGE POWER OPTION AVAILABLE:

(Cat No 517277) **CE, RoHS, and UL** listed table mount-power module, 100VAC/240VAC, 50Hz/60Hz for use in place of standard power module that is included with the unit. Has IEC 60320 C14 inlet. **Ideal for international applications.**



UTILIZING THE USER-FRIENDLY REMOTE GRAPHICAL USER INTERFACE SOFTWARE

To connect to the switch from a workstation or computer having access to the LAN that the QuickSwitch® 6302 LAN port is connected to, simply launch a standard web browser and type in the appropriate IP address. The Java Applet will be automatically uploaded from the switch upon connection. The environment requirement for the GUI is Java 1.7 and above.

Finding the IP Address of the Switch

After installing DeviceInstaller and opening it, the software will automatically search for devices on the network. Once found, the devices will be listed in the right pane (see Figure 2). Match the MAC address on the rear of the unit to the MAC address (“Hardware Address”) shown in DeviceInstaller to correctly identify the desired unit and find the associated IP address.

SOFTWARE FEATURES:

- Access User Interface via standard web browser.
- **Easy to use, simple point and click operation.**
- Remotely access to control or monitor the QuickSwitch® 6302
- Remote control of the switch is password protected.
- Users can change the switch’s IP address.
- LAN access gives users across the LAN or over the Internet access to control if user network is configured accordingly.



Figure 1: GUI in a Standard Web Browser



Figure 2: Finding the IP address in DeviceInstaller

LOGGING into the Remote Control GUI

Once logged in, the user can perform one of several actions:

- Change the switch position
- Lockout control of the switch’s front panel
- Obtain switch status
- Change the login password
- Re-configure the switch’s IP address

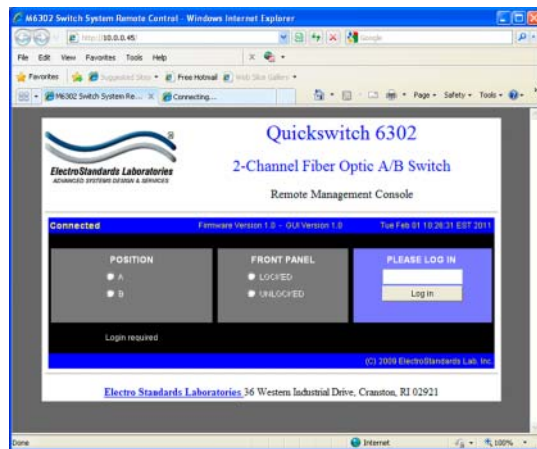
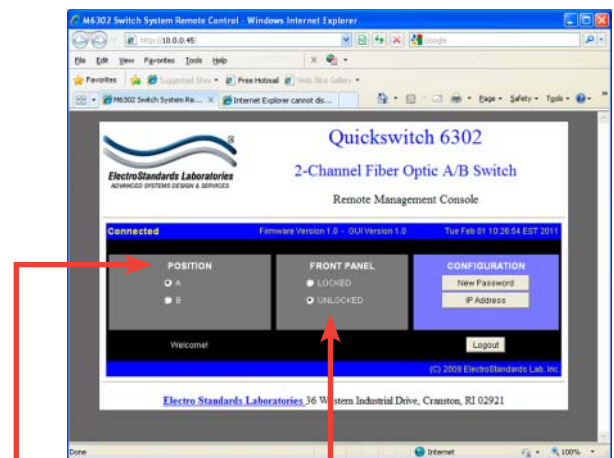


Figure 3: Logging into the GUI

CHANGING POSITION AND LOCK STATUS

To change the switch position, click on the radio button “A” or “B” as desired. Locking and unlocking the front panel pushbutton can be done by clicking on the “Locked” or “Unlocked” radio buttons. See Figure 4.



Switch position by selecting “A” or “B”. Lock and unlock the front panel operation

Figure 4: Change the position and lockout from the GUI