

Model 5543 CDIC/ISDN/OFFLINE Display Indicator Unit

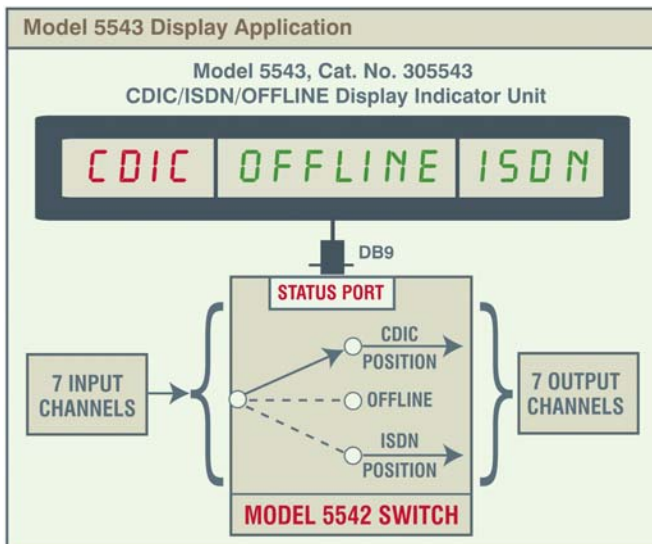
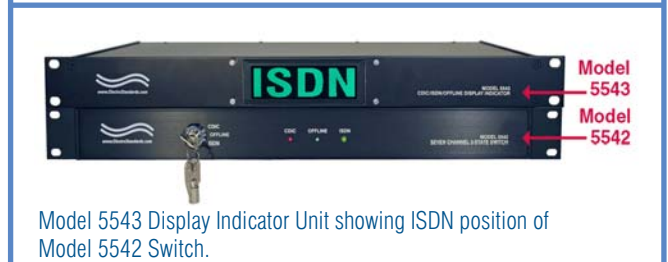
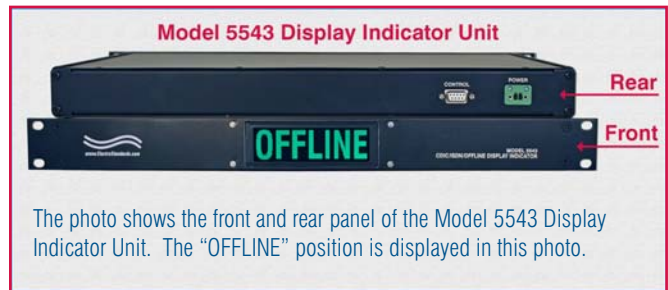
- Conference Room Application: Model 5543 Displays the CDIC/ISDN/OFFLINE Status of the Model 5542 Switch.

INTRODUCTION

The Model 5543 CDIC/ISDN/OFFLINE Display Indicator Unit is designed to display the isolation/connection status of communications equipment. This equipment comprises a switching system that includes the Model 5542 7-Channel 3-State Cat5e/ISDN Switch. Users can link these units to create a robust conference room communications switching system. The Model 5543 is enclosed in a 1U, full rack size, black anodized chassis designed to fit in a standard 19" rack.

FEATURES

- Control port for linking the Model 5543 to the Model 5542 switch.
- The front panel Color Graphic Display on the Model 5543 will display the CDIC/ISDN/OFFLINE status of the switch system.
- Power to the LED's of the Model 5542 switch is provided via the Model 5543 Control port.



Specifications:

STATUS CONNECTOR: (1) DB9 female connector labeled CONTROL.

DISPLAY: (1) Front panel color graphic display indicates position of companion switch. Displays CDIC, ISDN, or OFFLINE.

POWER: "WIDE RANGE" CE and UL listed table mount power module (Cat No. 521895) 100VAC/240VAC, 50Hz/60Hz. Has IEC 60320 C14 inlet. Ideal for international applications.

DIMENSIONS: 19" W x 1.75" H x 8.0" D. (48.3 x 4.4 x 20.3 cm)

WEIGHT: 3.7 lbs.(1.7 kg)