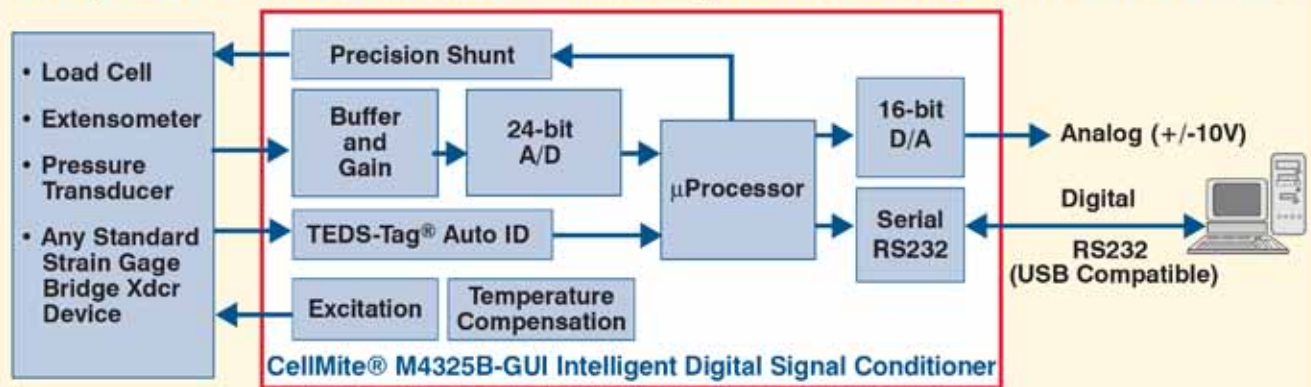


CellMite® Model 4325B-GUI Intelligent Digital Signal Conditioner With TEDS-Tag® Auto Identification

Features:

- Single Channel (Model 4325B-GUI)
 - 2-pt mV/V Calibration
 - 6-pt Linearization Calibration
 - Scalable $\pm 10V$ Analog Output
 - 16-Bit Analog Output
 - Direct to PC with RS232 Data
 - 24 Bit Resolution
 - Multiple Filter Selection
 - Storage for Three Calibrated Transducers
 - Precision Shunt
 - Remote Sense Excitation
 - Addressable for Serial Network
 - Tare, Peak, Valley.
 - Unit Support: In, Cm, mm, %, Lb, Kg, N, mV/V, User Defined
 - TEDS-Tag® Auto Identification
 - Power Supplies Internally Isolated
 - Din Rail mount available
- Graphical User Interfaces (GUI) and Software Drivers sold separately. Select from:
 - CellView Lite GUI (Cat. No. 514569)
 - CellView Multi-Unit Display GUI (Cat. No. 514424)
 - Software Drivers (Cat. No. 514864)

Ideally suited for in-situ transducer conditioning and distributed process measurements!



CellMite® is a compact digital signal conditioner that connects directly to a standard strain gage-based load cell, extensometer, or pressure sensor and simultaneously generates a serial digital output for connection to a PC as well as a $\pm 10V$ analog output.

CellMite® compensates for transducer nonlinearities using its integrated 6-point calibration capability not found in standard signal conditioners. Its multi-drop RS232 serial port, unit addressing capabilities, and simple command set allow for connection of multiple units in a serial network configuration. The TEDS-Tag® auto identification feature with integrated electronic tags allows the CellMite® to automatically select the correct sensor calibration and analog output for scaling for the connected transducer.

CellMite® features a nonvolatile memory for parameter and calibration storage, the ability to select between three transducers, multi-point and mV/V calibration, remote sense excitation, and a 24-bit internal resolution with 16-bit analog output.





CellMite® Model 4325B-GUI Specifications (Cat. No. 303326)

Excitation:

Voltage: 5 VDC. Nom. Load 350 Ω.

Operation:

Internal Resolution: 24-bit.

Input Range: ±5.5 mV/V.

Conversion Rate: 60 per second.

Error: 0.01%, ±1 count.

Precision Shunt 60K.

Outputs:

Analog: 16-bit, Scalable, ±10V.

Serial Data: Multi-drop RS-232.

Mechanical:

Size: 5.5" x 2.75" x 1.2".

Weight: 8.3 oz. (235g).

Din Rail mount available.

Power:

5 VDC, 150mA. (Included Adpater)

110/240VAC, 60/50 Hz.

Included Items:

DB9 Mating Connectors

Operational Manual on CD ROM.

CellView Lite GUI Software (Cat. No. 514569)

Features:

- Turnkey data acquisition system
- Save data, calibration, and sensor test information to Excel spreadsheets
- Guides user through sensor calibration
- Guides user through adding/removing networked CellMite® and CellMite® LVDT units.
- Ability to select any networked Model 4325B unit
- Ability to individually name Model 4325B units
- Tare and reset peak and valley for the sensor
- Save/Load the Model 4325B unit and sensor setup information
- Set output data with user defined 5th order polynomial function
- Setup a test to start and/or stop automatically
- Control Model 4325B solid state output relay switches
- User programmable analog output voltage range
- Units of In, Cm, mm, %, Lb, Kg, User Defined



CellView Multi-Unit Display GUI Software (Cat. No. 514424)

Features:

- Turnkey simultaneous data acquisition system for networked CellMite® and CellMite® LVDT units
- Supports mix and match of CellMite® and CellMite® LVDT units on network
- Ability to define 8 simultaneous data displays from multiple channels on multiple units
- Save data, calibration, and sensor test information to Excel spreadsheets for all networked units
- Guide user through sensor calibrations
- Guides user through adding/removing networked CellMite® and CellMite® LVDT units
- Ability to select and name any networked units
- Tare and reset peak and valley for the sensors
- Save/Load units and sensor setup information
- Set output data with user defined 5th order polynomial function
- Setup a test to start and/or stop automatically with user selectable trigger events and delayed triggering
- Multi sample rate data acquisition via user definable data logging profile
- User programmable analog output voltage range for attached CellMite® and CellMite® LVDT units
- Units of In, Cm, mm, %, Lb, Kg, mV/V, and User Defined



For Application Note: Load Cell Calibration - TEDS implementation with ESL TEDS-Tag® Auto ID System go to: <http://www.electrostandards.com/ProductDetail/?productid=10>