

QuickSwitch® 4193 8-Way Fiber Optic Switch/Converter

INTRODUCTION:

The **QuickSwitch®** 4193 ST Duplex 100Base-FX 8-Way Switch / Converter allows the user the capability of sharing any one of eight single port interface devices via ports 1, 2, 3, 4, 5, 6, 7, or 8 from a workstation or device, connected to the "COMMON" port. The QuickSwitch® 4193 is packaged in a slim desktop style enclosure.

All eight of the fiber optic ports are 1300nm, 100 Mbps, ST Duplex Multimode ports. The built-in electronics will automatically convert the COMMON port to 10/100Base-T twisted pair media.

The switch is controlled manually via front panel pushbuttons. The switch position status and fiber optic link presence can be determined by the front panel LED's.

The **QuickSwitch®** 4193 is fully compliant with the 802.3u 100Base-FX standard.

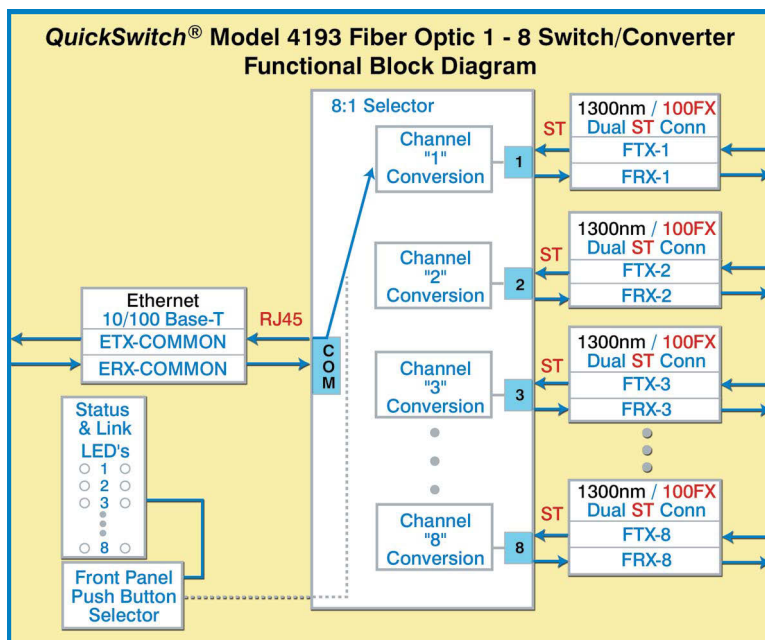


COTS or Customized Switches Available
(Call 401-943-1164)

FEATURES:

- Front panel pushbutton control.
- When power is lost, unit isolates all communication ports and does not pass data.
- When power is restored, the unit automatically switches to the last known position.
- Front panel LED's display present Status and Link.
- The Common Port is a 10/100Base TX Fast Ethernet port. The 10/100 Base TX "COMMON" port will convert and pass data to and from the selected fiber port.
- All fiber optic ports are ST Duplex connectors, Multimode, 62.5/125 micron, and support a wavelength of 1300nm and speeds of 100 Mbps.
- All fiber ports are standard fiber optic transceivers that receive and drive the fiber optic signal, where the TX is on the left and the RX is on the right.
- A 6-Port model is available. See Model 4191, Cat. No. 303191 (No Remote).
- A 4-Port model is available. See Model 4189, Cat. No. 303189 (No Remote).
- For an 8-Way unit with REMOTE, see Model 5191, Cat No 304191.

★ **Municipalities, schools, government: This product on GSA Schedule!**



SPECIFICATIONS:

PORT CONNECTORS:

Ports 1- 8 are 100 Base FX fiber optic ST Duplex ports.

(1) COMMON port RJ45 10/100 Base-T.

FRONT PANEL CONTROLS: (8) Pushbuttons to select network port. **(No REMOTE Control port).**

DISPLAY: (8) Status red LED's; (8) Link red LED's.

POWER: UL approved 100/240VAC, 50/60Hz wall mount power module supplies power to the unit, P/N 522586.

WAVELENGTH: 1300nm,

FIBER SIZE: 62.5/125 Micron.

DIMENSIONS: 11.32" W x 3.0"H x 9.34"D.
(28.8 x 7.7 x 23.8 cm)

WEIGHT: Approximately 3.5 lbs. (1.6 kg)